



Attention: check the correspondence with the revision of your product

Model - Revision @ Code_Document version

NOVA 300 MA 220-240 05H50 AUS - N.6.- - @ 103000444_a,c

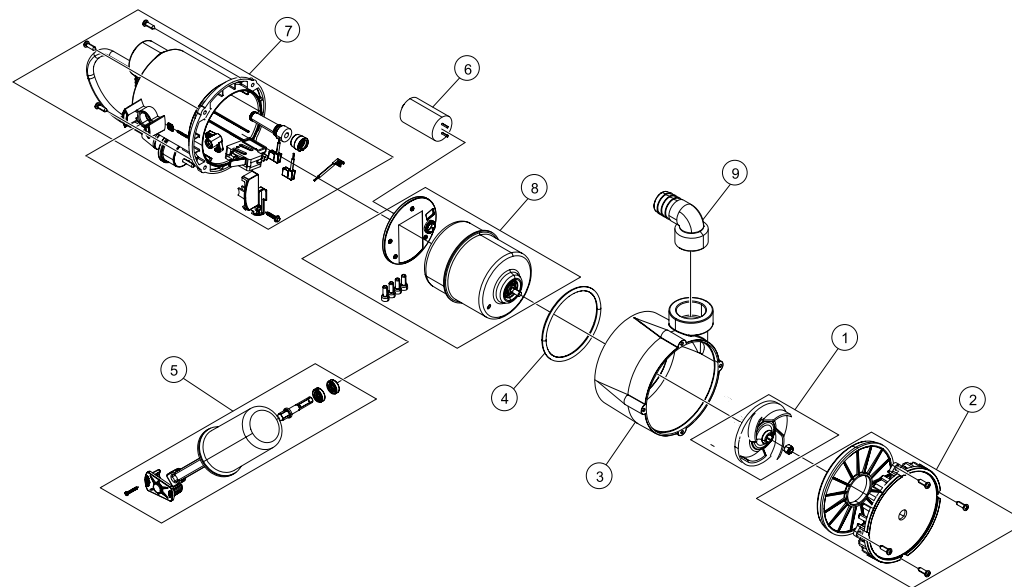
Receiver

From

Page: 3

Society
Reference
Phone
Fax
E-mail

Item	Q.ty	Item no.	Description	Unit pr.
1	1	SP60117221	(SP) IMPELLER NOVA 200-300 50Hz	On req.
2	1	SP164660160	(DISCONTINUED)(SP) SUCTION FILTER NOVA 300	On req.
3	1	SP161360021	(SP) PUMP BODY NOVA180->300	On req.
4	1	SPP1200007	(SP) MOTOR/PUMP OR	On req.
5	1	SP60150460	(SP) FLOATSWITCH NOVA	On req.
6	1	SP60114545	8 UFX450V*M8*D.40X75MAX.COND.7 MICR	On req.
7	1	SP140667210	(SP) COVER NOVA 300A 05H05AUS'04	On req.
8	1	SP60112836	(SP)KIT -MOTOR ASS.Y H40 V230-50Hz W/O C.AISI304	On req.
9	1	SP167360010	(SP)HOSE NOVA SERIES	On req.



Project	Project ID	Created by	Created on 2020-05-21	Last update
---------	------------	------------	--------------------------	-------------